

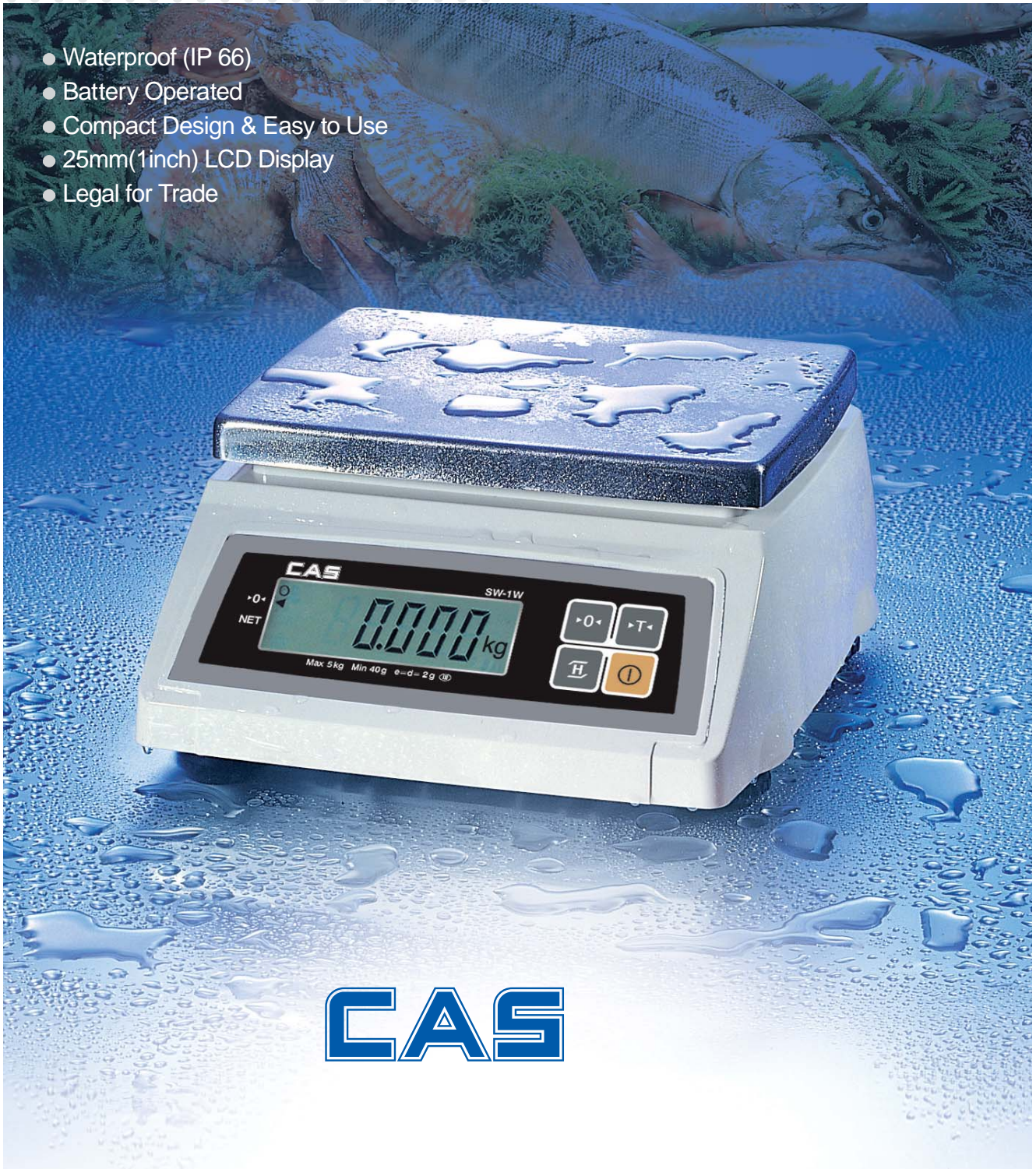
NEW

SW-1W

Waterproof Scale



- Waterproof (IP 66)
- Battery Operated
- Compact Design & Easy to Use
- 25mm(1inch) LCD Display
- Legal for Trade



CAS

SW-1W Waterproof Scale

FEATURES

- Battery Operation with Auto Power Off Feature
- Large LCD (H=25 mm/1inch) Display
- lb/g/kg/oz Switchable
- Soft Touch Tack Switch
- Compact Design & Stainless Steel platter
- Zero, Net, Stable, Low Battery Indicators
- Function : On/Off, Zero, Tare, Unit

SPECIFICATIONS

Model		SW-1W-05	SW-1W-10	SW-1W-20
Capacity	Low	5 kg / 0.002 kg	10 kg / 0.005 kg	20 kg / 0.01 kg
	Middle	5 kg / 0.001 kg	10 kg / 0.002 kg	20 kg / 0.005 kg
	High	5 kg / 0.0005 kg	10 kg / 0.001 kg	20 kg / 0.002 kg
External	Low	1/2,500	1/2,000	1/2,000
	Middle	1/5,000	1/5,000	1/4,000
	High	1/10,000	1/10,000	1/10,000
Max. Tare		Full Tare		
Display Digit		5 Digit LCD (25mm)		
Display Designators		Stable, Zero, Net, Batt.		
Measurement Type		Load Cell		
Power Source		DC 9V (1.5V ×6EA) / AC Adapter Included		
Power Consumption		0.25W		
Operating Time		Alkaline Dry Battery : 1600hr Mn Battery : 800hr		
Operating Temperature		-10 °C ~ +40 °C (14 °F ~ +104 °F)		
Platter Size (mm / inch)		247(W) × 195(D) / 9.72(W) × 7.67(D)		
Dimensions (mm / inch)		278(W) × 317(D) × 141(H) 10.9(W) × 12.5(D) × 5.6(H)		
Product Weight		3.7 kg / 8.15 lb		

OPTION

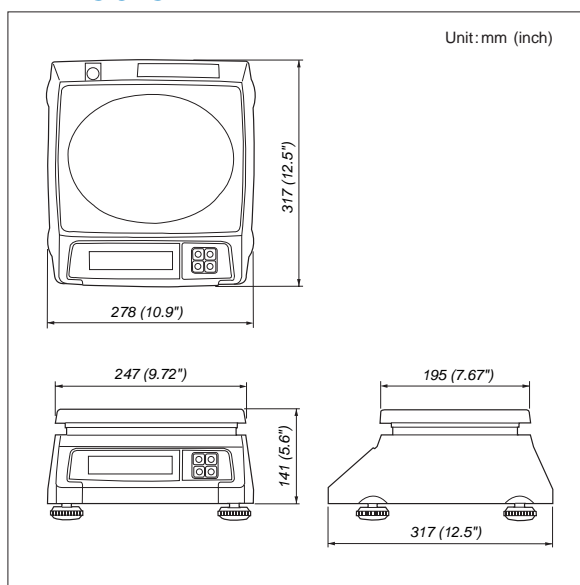
- Rear Display
- AC Adapter (9V / 300mA)

REAR DISPLAY



option

DIMENSIONS



CAS www.globalcas.com

CAS BLDG., #440-1, SUNGNAE-DONG
GANGDONG-GU, SEOUL, KOREA
TEL : 82-2-2225-3500
FAX : 82-2-475-4668