

INDUSTRIAL WEIGHING SOLUTION™



Large LCD display



Portable type



Detachable display



Rotatable display

# PB SERIES

## Portable Bench

- Easy to carry portable type
- White backlight
- Detachable display
- Auto power-off
- Auto zero tracking
- Available capacity : 30k g~20 0kg
- Battery operating : UP to 300 hours of continuous use

### Major places of use

- ▶ Home delivery companies
- ▶ Farm products, Dried fish, Fruits & Vegetables
- ▶ Meat processing companies



**CAS**

# PB SERIES | Portable Bench

## SPECIFICATIONS

| Model                 | PB series                                     |       |       |        |
|-----------------------|---|-------|-------|--------|
| Max.capacity (kg)     | 30  | 60    | 150   | 200    |
| Readability (g)       | 5/10  | 10/20 | 20/50 | 50/100 |
| External resolution   | 1/2,000 ~ 1/3,000(dual)                       |       |       |        |
| Display digit         | 6 digits (weight)                             |       |       |        |
| Display type          | LCD   |       |       |        |
| Operating temperature | -10°C ~ +40°C                                 |       |       |        |
| Power                 | Battery, AC adapter                           |       |       |        |
| Battery life          | Alkaline battery: 300hrs / Mn battery: 140hrs |       |       |        |
| Platter size (mm)     | 355(W) x 443(D)                               |       |       |        |
| Dimensions (mm)       | 355(W) x 611(D) x 65(H)                       |       |       |        |
| Product weight (kg)   | 6.2   |       |       |        |

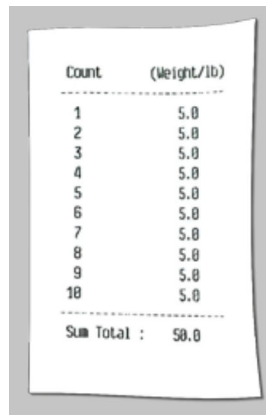
## FEATURES

- Easy-to-carry portable type
- Detachable LCD display
- White backlight
- Battery operating  
UP to 300 hours of continuous use
- Auto power-off
- Auto zero tracking
- Rechargeable Battery Included



## OPTIONS

- EP-50 Receipt Printer

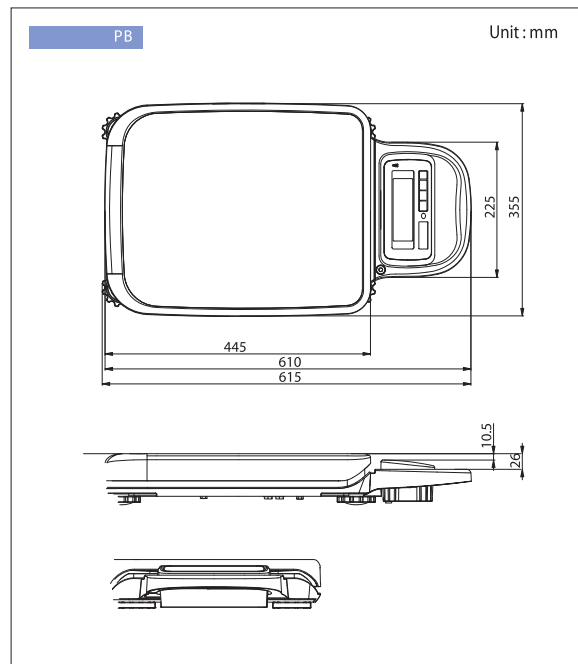


## Major places to be used



- ▶ Home delivery companies
- ▶ Farm products, Dried fish, Fruits & Vegetables
- ▶ Meat processing companies
- ▶ Hospital, School, Fitness center

## DIMENSIONS



# CAS

**CAS USA Corporation  
Corporate Office**

99 Murray Hill Parkway  
East Rutherford, NJ 07073  
Tel: (201) 933-9002  
Fax: (201) 933-9025  
<http://www.cas-usa.com>



Agent:



**weightronic Technology Ltd.**

G/F., 34 Nam Cheong Street,  
Sham Shui Po., K.L., Hong Kong.  
Tel.: (852) 23818818 Fax:(852) 23919919

Email: [sales@weightronic.com](mailto:sales@weightronic.com)  
<http://www.weightronic.com>

C-42709002