



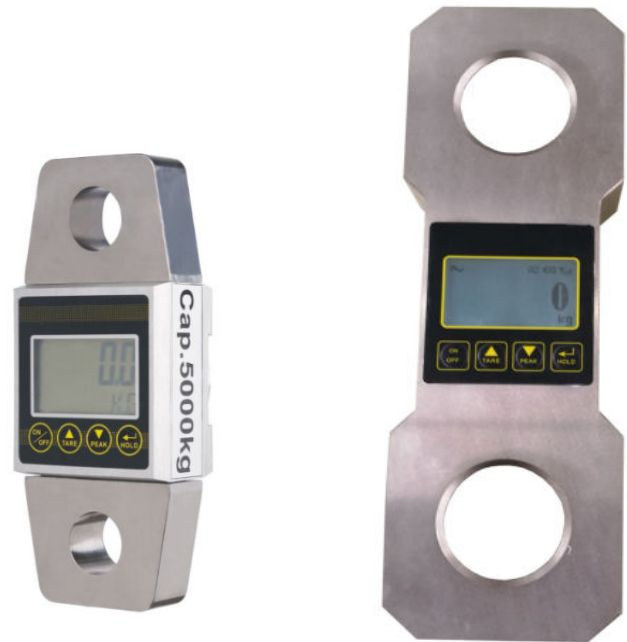
## Dynamometer : OCS-Y

### Features:

- Integrated load structure( Aluminum alloy/Alloy steel)
- 20mm LCD display
- Waterproof panel
- AA\*3 battery
- hand held indicator optional

### Functions:

- Zero/Tare
- Display hold
- Voltage display
- Overload warning
- Auto power off
- Unit Switch
- Resolution switch



### Specification:

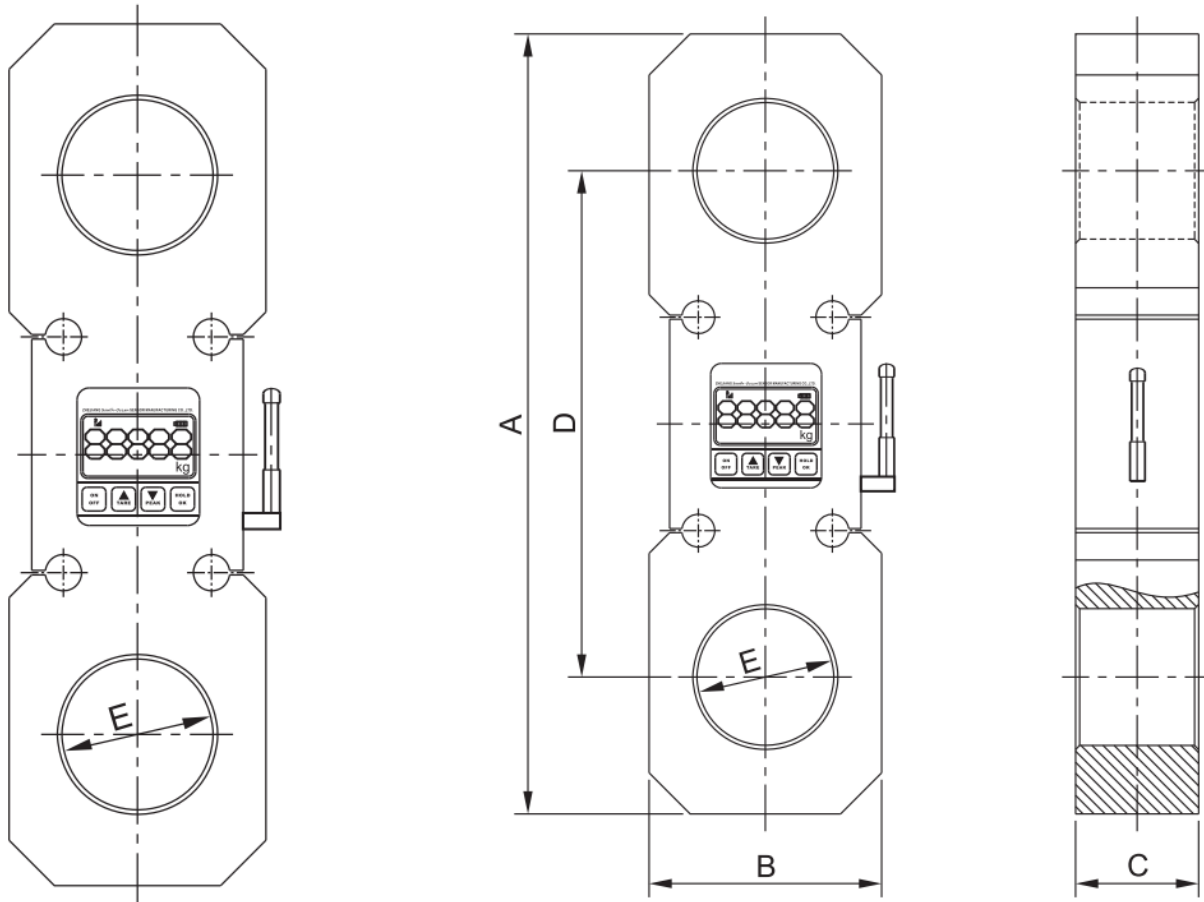
Model:	Max.Cap.	Min.Cap.	Resolution	Division
OCS-Y	1000kg	10kg	0.5kg	2000
	2000kg	20kg	1kg	2000
	3000kg	20kg	1kg	3000
	5000kg	40kg	2kg	2500
	10000kg	100kg	5kg	2000
	20000kg	200kg	10kg	2000
	30000kg	200kg	10kg	3000
	50000kg	400kg	20kg	2000

### Size:

Max.Cap.	A	B	L	Φ	Material
1000kg	90	30	230	25	Aluminum alloy
2000kg	90	30	230	25	Aluminum alloy
3000kg	90	30	230	25	Alloy steel
5000kg	90	30	230	32	Alloy steel

Unit:mm

Max.Cap.	A	B	C	D	E	Material
10000kg	340	110	58	224	55	Alloy steel
20000kg	360	116	60	228	60	Alloy steel
30000kg	366	126	62	232	60	Alloy steel
50000kg	500	180	70	320	72	Alloy steel



**Specification:**

Accuracy class	OIML III
Tare range	100%F.S.
Zero range	4%F.S.
Safe overload	120%F.S.
Ultimate overload	400%F.S.
Overload warning	100%F.S.+9e
Battery	AA*3
Temperature range	-10°C-40°C