

WEIGHING SOLUTION™



High precise

JCS series

Counting scale

- LCD display
- 100 item weight and tare saving



CAS

JCS series | counting scale

SPECIFICATIONS

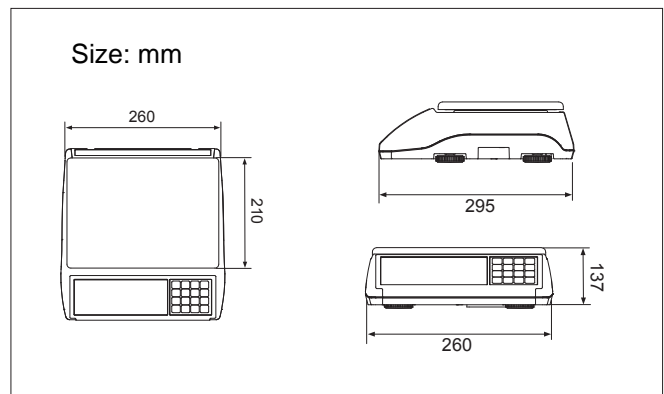
Model	JCS-3	JCS-6	JCS-15	JCS-30
Capacity	3kg×0.1	6kg×0.2g	15kg×0.5g	30kg×1g
Display digits	5/ 5/ 6 (weight/unit/count)			
Display type	LCD			
Weighting type	Load cell			
Power source	AC 220V Recharge Battery (6V, 3.3AH)			
Working temperature	-10℃~+40℃			
Platter size (mm)	260 (W) × 210 (D)			
Dimensions (mm)	260 (W) × 295 (D) × 137 (H)			
Weight	3.2kg			

FEATURES

- Accumulation counting times and quantity
- Auto-average unit weight alarm of the fixing quantity
- Zero Tracking, Tare, Quantity accumulation, Shortage
- Unit weight shortage, recharge display
- Battery shortage, Come to setting quantity
- Unit kg/g/lb indication
- AC, Rechargeable battery alternative
- Simple design of the appearance



Dimensions



CAS

CAS BLDG., # 440-1, SUNGNAE-DONG,
GANGDONG-GU, SEOUL, KOREA

TEL_ 82 2 2225 3500

FAX_ 82 2 475 4668

<http://www.globalcas.com>

Specifications are subject to change for improvement without prior notice.



Weightronic Technology Ltd.

G/F., 34 Nam Cheong Street, Sham Shui Po, Kln., Ho ng Kong

Tel : [852] 2381 8818 Fax: [852] 2391 9919

E-mail: sales@weightronic.com

Web Site: <http://www.weightronic.com>

<http://www.磅.hk>