



Check-Weighing Function (HI/OK/LO)



Rechargeable battery



Blue backlight LCD

# HDI SERIES

## High Resolution Bench Scale

HDI Series is an advanced bench scale with high resolution and various functions. It is suitable for use in parts production, paint industry and logistics center. It can be connected to various printers for data collection and offers great mobility with its rechargeable battery.

- High-Resolution Weighing
  - External Resolution: 1/15,000
- Counting & Percent mode Support
- Check-Weighing function
- Easy operation with 9 function keys
- Rechargeable Battery
- 10 label printing formats supported



# HDI SERIES | High Resolution Bench Scale

## Check-Weighing Function (HI/OK/LO)

Supporting Weight/Count/Percentage comparison function with alarm beeps and Icon



## SPECIFICATIONS

Model	HB series			
Capacity(kg)	30	75	150	250
Repeatability(e=d)(g)	5	10	20	50
Resolution	1/15,000	1/7,500	1/7,500	1/5000
Internal Resolution	1/600,000			
Display Type	LCD			
Weight Units	kg, lb			
Zero Range	±2%			
Tare Range	Full Capacity by Subtraction			
Stabilization Time	≤2 seconds			
Operation Temperature	0°C ~ 40°C			
Power	AC Adaptor 12V/800mA Internal rechargeable sealed acid battery			
Battery Life	80 hours continuous use with 12 hour recharge time			
Safe Overload Capacity	120% of capacity			
Product Weight(kg)	15			
Dimension(mm)	400(W) x 630(D) x 750(H)			
Pan Size(mm)	400(W) x 500(D)			

## FEATURES

- High resolution (1/15,000)
- Easy operation with 9 function keys
- Counting & percentage mode
- Weight/Count/Percentage comparison function (HI/OK/LO) with alarm beeps
- RS-232C interface (PC/Printer)
- Accumulation mode
- Rechargeable battery
- Printer connection capable, 10 label printing formats supported

## OPTIONS

- DEP (Tiket Printer)
- BP-DT-4, DLP (Label Printer)

# CAS

CAS BLDG., # 440-1, SUNGNAE-DONG,  
GANGDONG-GU, SEOUL, KOREA

TEL\_ 82 2 2225 3500

FAX\_ 82 2 475 4668

<http://www.globalcas.com>

Specifications are subject to change for improvement without prior notice.

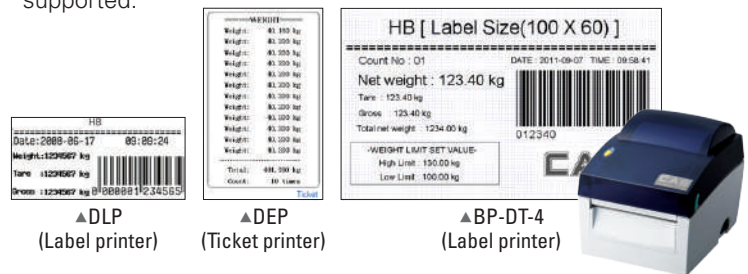
## Rechargeable Battery

The rechargeable battery increases portability and allows HB to be used in environments where little or no power is available

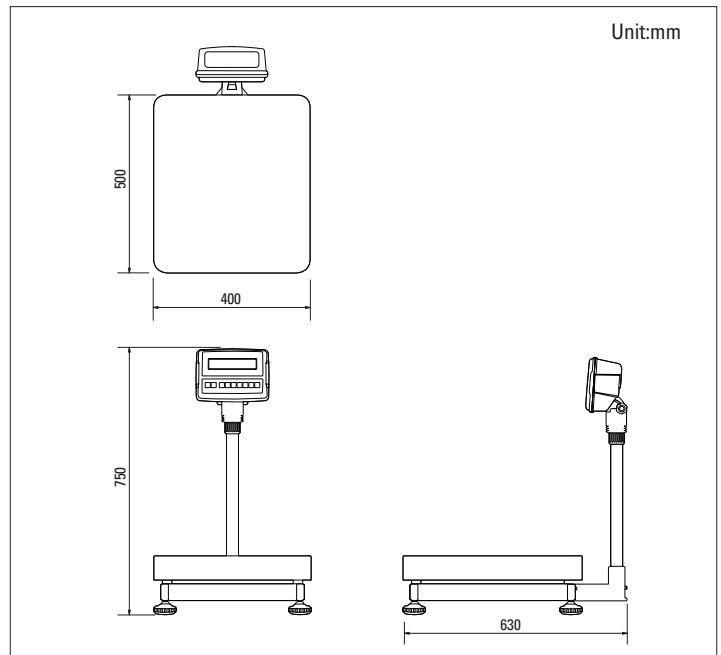


## Variety of Printing Options

The HB series can be connected with label or ticket printers with a print width of 2 & 4 inches. Print useful data and information such as weight, date and quantity. Up to 10 different formats are supported.



## DIMENSIONS



Unit:mm