

INDUSTRIAL WEIGHING SOLUTION™



Build-in Alarm Light
(High Mid Low)



High-Visibility display



Light tower

ED-S SERIES

Smart Weighing Scale

- ED-S is an advanced weighing scale with a high resolution and various functions.



CAS

ED-S SERIES | Counting Scale

High-Visibility display



Build-in Alarm Light (High Mid Low)



▶ Green LED display



▶ White LED display



▶ LCD display

Features

- Internal resolution 1/600,000
- External resolution 1/30,000
- Compare a weight
- Large LCD display
- Built - in alarm light
- Weight Comparison Light Alarm (High / OK / Low)
- Weight comparison Sound alarm (high, low, OK)

Option

1. Light tower
2. Printer
3. External platform
4. External display



CAS BLDG., # 440-1, SUNGNAE DONG,
GANGDONG GU, SEOUL, KOREA
TEL_ 82 2 2225 3500
FAX_ 82 2 475 4668
<http://www.globalcas.com>

Specifications are subject to change for improvement without prior notice.

Weight comparison function with alarm beeps(HI/OK/LO)

Customer can preset the range of weight data, so the ED-S series will indicate whether the actual weight of the loaded items is out of the preset range with alarm beep sounds. The ED-S will also enable users to conduct amuch faster and easier operation.



▲ Build-in Alarm Light (High Mid Low)

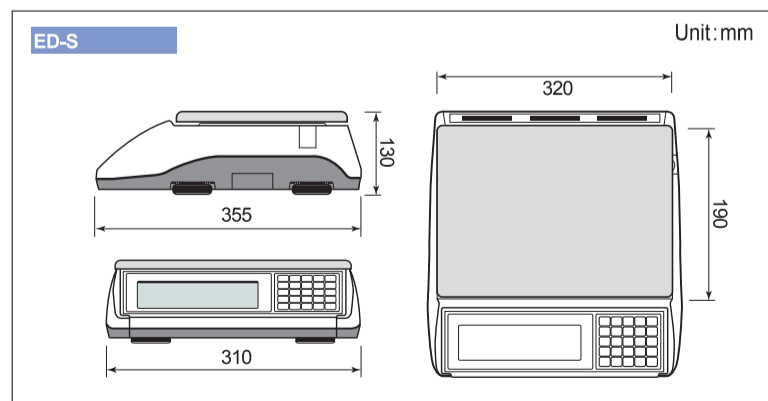


▲ Light tower

SPECIFICATIONS

Model	ED-S			
Capacity (g)	3000	6000	15000	30000
Readability (g)	0.1	0.2	0.5	1
External Resolution	1/30,000			
Internal Resolution	1/600,000			
Display Type	LCD/ LED display			
Weight Units	g/kg			
Operation Temperature	0 C ~ 40 C			
Power	Rechargeable Battery (6V,4Ah)			
Product Weight (kg)	4.5			
Dimensions (mm)	320(W) × 355(D) ×130(H)			
Platter Size (mm)	320(W)×230(D)			

Dimensions



C-60400102