

INDUSTRIAL WEIGHING SOLUTION™



Build-in Alarm Light  
(High Mid Low)



High-Visibility display



Light tower

# EC-H SERIES

## Counting Scale

- Simple and Easy Operation with High Performance Counting function



CAS

# EC-H SERIES | Counting Scale



## SPECIFICATIONS

Model	EC-Hseries			
Capacity (g)	3000	6000	15000	30000
Readability (g)	0.1	0.2	0.5	1
External Resolution	1/30,000			
Internal Resolution	1/600,000			
Display Type	LCD display			
Weight Units	g/kg			
Operation Temperature	0 C ~ 40 C			
Power	Rechargeable Battery (6V,4Ah)			
Product Weight (kg)	4.5			
Dimensions (mm)	320(W) × 355(D) × 130(H)			
Platter Size (mm)	320(W)×230(D)			

## Features

- Internal resolution 1/600,000
- External resolution 1/30,000
- Compare a count or weight
- Free conversion between weight and count windows
- Large LCD display
- Built-in alarm light
- Quantity/Weight Comparison Light Alarm (High / OK / Low)
- Quantity/Weight comparison Sound alarm (high, low, OK)

## Weight/Count comparison function with alarm beeps(HI/OK/LO)

Customer can preset the range of weight & count data, so the EC-II series will indicate whether the actual weight of the loaded items is out of the preset range with alarm beep sounds. The EC-H will also enable users to conduct amuch faster and easier operation.



▲ Build-in Alarm Light (High Mid Low)

▲ Light tower

## Option

1. Light tower
2. Printer
3. External platform
4. External display

# CAS

CAS BLDG., # 440-1, SUNGNAE DONG,  
GANGDONG GU, SEOUL, KOREA

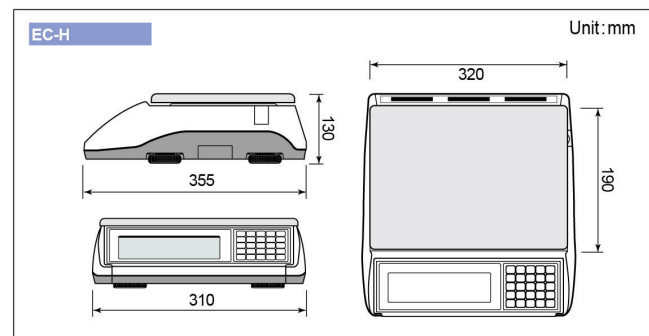
TEL\_ 82 2 2225 3500

FAX\_ 82 2 475 4668

<http://www.globalcas.com>

Specifications are subject to change for improvement without prior notice.

## Dimensions



C-60400102