

Shear Beam Load Cell



FEATURES

- Capacities 250 - 2000kg and 1000 - 4000lbs
- Steel and stainless steel construction
- OIML R60 and NTEP approved
- IP67 protection

OPTIONAL FEATURES

- EEx ia IIC T6 hazardous area approval
- FM approval available

DESCRIPTION

Model 3410 is a low profile shear beam load cell designed for high accuracy platform scales, pallet scales and process weighing applications.

It has high immunity to shock or side loading and is available in 2 or 3mV/V sensitivity. Approved to OIML, NTEP standards. For hazardous environments this load cell is available with EEx ia IIC T6 level of European approval.

Nickel plating and full environmental sealing assures long term reliability. A

stainless steel option is available for the lb versions for use in harsh or corrosive environments.

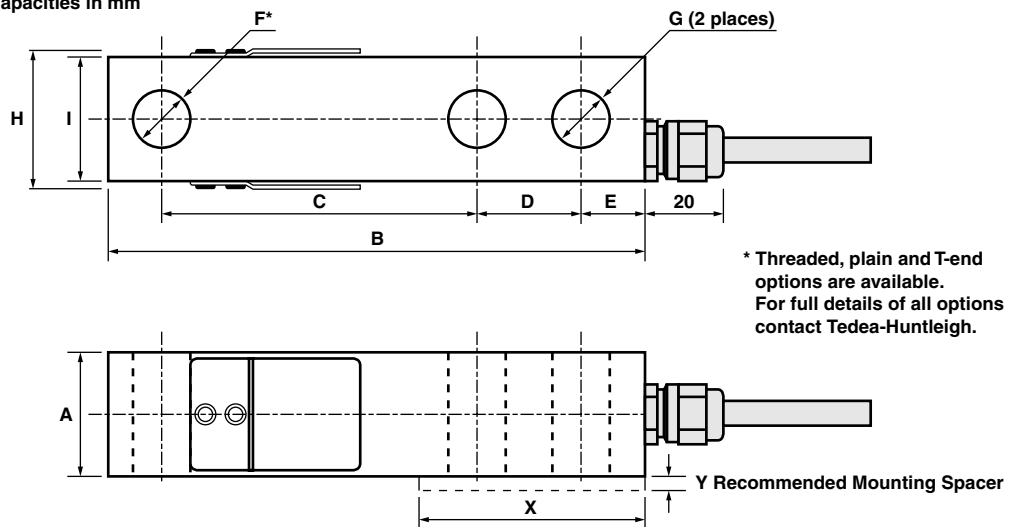
The two additional sense wires feed back the voltage reaching the load cell. Complete compensation of changes in lead resistance due to temperature change and/or cable extension is achieved by feeding this voltage into the appropriate electronics.

APPLICATIONS

- Low profile platforms
- Pallet truck weighing
- Tank and silo weighing

OUTLINE DIMENSIONS in millimeters

Outline Dimensions All Capacities in mm



CAPACITY	A	B	C	D	E	ØF	ØG	H	I	X	Y
1000, 1500, 2500, 4000lb	30.5	130	76.2	25.4	16	Ø13.5	Ø13.5	34.0	30.5	57	4
250, 500, 1000kg	30.5	130	76.2	25.4	16	M12*	Ø13.5	34.0	30.5	57	4
2000kg	36	130	76.2	25.4	16	M12*	Ø13.5	34.0	30.5	57	4

* Tapped M12 X 1.75 & counterbored Ø13.5 X 14.5 Deep

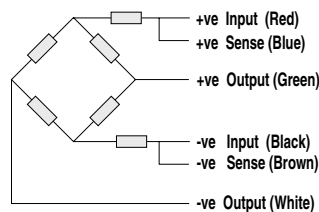


SPECIFICATIONS

PARAMETER	VALUE			UNIT
Rated capacity-R.C. (E_{max})	250, 500, 1000, 2000			kg
Rated capacity-R.C. (E_{max})	1000, 1500, 2500, 4000			lbs
NTEP/OIML Accuracy class	NTEP	Non-Approved	C3	
Maximum no. of intervals (n)	3000 single 5000 multiple	1000	3000*	
$Y = E_{max}/V_{min}$	6666	1400	10000	Max. available
Rated output-R.O.	2.0 for kg and 3.0 for lbs			mV/V
Rated output tolerance	0.1			±% of rated output
Zero balance	2			±% of rated output
Zero Return, 30 min.	0.0250	0.0300	0.0170	±% of applied load
Total Error (per OIML R60)	0.0200	0.0500	0.0200	±% of rated output
Temperature effect on zero	0.0023	0.0100	0.0023	±% of rated output/°C
Temperature effect on output	0.0010	0.0030	0.0010	±% of applied load/°C
Temperature range, compensated	-10 to +40			°C
Temperature range, safe	-20 to +70			°C
Maximum safe central overload	150			% of R.C.
Ultimate central overload	300			% of R.C.
Excitation, recommended	10			Vdc or Vac rms
Excitation, maximum	15			Vdc or Vac rms
Input impedance	385±10			Ohms
Output impedance	351±5			Ohms
Insulation resistance	>2000			Mega-Ohms
Cable length	3.0 - 3410, 6.0 - 3411			m
Cable type	6 wire, braided, Polyurethane, floating screen			Standard
Construction	Nickel plated alloy steel and stainless steel			
Environmental protection	IP67			
Recommended torque	136			N*m

* 50% utilization

Wiring Schematic Diagram



VISHAY TRANSDUCERS (VT) SALES OFFICES

VT Americas
City of Industry, CA
PH: +1-626-858-8899
FAX: +1-626-332-3418
vt.us@vishaymg.com

VT Netherlands
Breda
PH: +31-76-548-0700
FAX: +31-76-541-2854
vt.nl@vishaymg.com

VMG UK
Basingstoke
PH: +44-125-646-2131
FAX: +44-125-647-1441
vt.uk@vishaymg.com

VMG Israel
Netanya
PH: +972-9-863-8888
FAX: +972-9-863-8800
vt.il@vishaymg.com

VMG Germany
Heilbronn
PH: +49-7131-3901-260
FAX: +49-7131-3901-2666
vt.de@vishaymg.com

VT China
Tianjin
PH: +86-22-2835-3503
FAX: +86-22-2835-7261
vt.prc@vishaymg.com

VMG France
Chartres
PH: +33-2-37-33-31-20
FAX: +33-2-37-33-31-29
vt.fr@vishaymg.com

VT Taiwan*
Taipei
PH: +886-2-2696-0168
FAX: +886-2-2696-4965
vt.roc@vishaymg.com
*Asia except China



Disclaimer

All product specifications and data are subject to change without notice.

Vishay Intertechnology, Inc., its affiliates, agents, and employees, and all persons acting on its or their behalf (collectively, "Vishay"), disclaim any and all liability for any errors, inaccuracies or incompleteness contained herein or in any other disclosure relating to any product.

Vishay disclaims any and all liability arising out of the use or application of any product described herein or of any information provided herein to the maximum extent permitted by law. The product specifications do not expand or otherwise modify Vishay's terms and conditions of purchase, including but not limited to the warranty expressed therein, which apply to these products.

No license, express or implied, by estoppel or otherwise, to any intellectual property rights is granted by this document or by any conduct of Vishay.

The products shown herein are not designed for use in medical, life-saving, or life-sustaining applications unless otherwise expressly indicated. Customers using or selling Vishay products not expressly indicated for use in such applications do so entirely at their own risk and agree to fully indemnify Vishay for any damages arising or resulting from such use or sale. Please contact authorized Vishay personnel to obtain written terms and conditions regarding products designed for such applications.

Product names and markings noted herein may be trademarks of their respective owners.