

N320 R310 R320 R323
series



created to fit where **you** really need it



The R300 series of indicators builds on over 15 years of design experience to create a series of cost effective reliable products that are ideal for use in mobile applications such as forklifts, platforms, inside truck cabs and crane scales, OEM applications.

(versatile housing and mounting)

320 / 310

- Durable IP65 ABS panel mount housing
- Durability maximised with the protective lens over the LCD to reduce risk of damage from knocks
- Optional desk stand with non-slip rubber feet
- Stainless steel swivel bracket for pole or wall mounting
- 4 AA Battery compartment built into optional desk stand



N320R320 with optional desk mount.



323

- Tough stainless steel flush mount version
- Stainless steel wall/desk mount version with two stand options
- Internal AC version

(versatile powering)

AC, DC and battery

Wide DC operation (7 - 24V) to suit a variety of onboard OEM applications. Supports battery packs from 4.8V to 24V.

The rechargeable battery version is designed to achieve maximum time between recharges

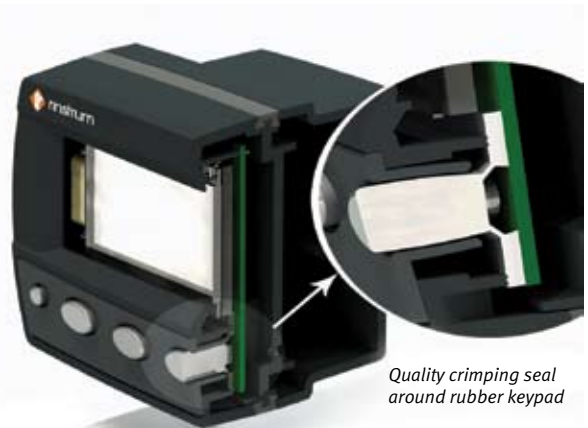
- Up to 75 hours (single load cell and no backlight) of continuous operation between charges depending on configuration
- Battery charging indication on charger
- Settable power save auto off feature
- Backlight off option
- Low battery indicator



What makes the 3 series findicators the number one for mobile onboard applications?

Ultra compact housing (160x75x30mm)	Allows for the unit to be readily mounted on small control panels or equipment, reducing costly modifications to the units they are being installed into.
*Two isolated high side outputs	Reduces wiring and the need for external relays, saving installation cost and reducing overall system size.
Versatile power options with a wide DC operating range	Eliminates the need for third party power supplies saving on system complexity and cost.
Long life rechargeable battery option	Mobile installations allowing for operator flexibility.
Magnetically coupled opto-link on front fascia	Easy access in situ for updates/setup of the indicator, saving the installer time and effort.
IP65 rated housings	Dust and water tight, increasing reliability and indicator life time.
Trade and emissions approvals in Australia and Europe	End equipment is export ready with approved componentry.
Features	Benefits
High contrast LED backlit LCD display	Improves operator visibility and accuracy of reading the weight.
*Programmable function key	Improves operator productivity.
Printing can be customised	Easier setup and reduces the need for additional external programming.
*Built in clock calendar	Allows for traceable dockets to be printed, requiring a less sophisticated printer saving costs.

*Not available on R310



300 series IP65 sealing arrangement of buttons



The indicator provides:

- General purpose weighing functions – totalising unit switching, counting, hold & peak hold
- Clear highly visible display – 20mm LCD display with LED backlight
- Customise - Programmable function key and configurable printing
- Versatile power options - AC, DC and rechargeable NiMH battery options
- Built in RS232 communications port
- Two Isolated outputs - High side driver up to 300mA, allowing for example, direct connection to PLCs and for external actuators to be driven directly

easy transfer of setup

The magnetically coupled opto-link on the front panel provides a convenient temporary connection to a laptop for:

- Transfer of setup and calibration information
- Download of software upgrades

No need to access rear of the indicator.

customise for oem applications

The 320 is truly a versatile instrument. It has been customised for use in point of sale, truck weighing, agricultural processing, pallet-jack and packaging applications.

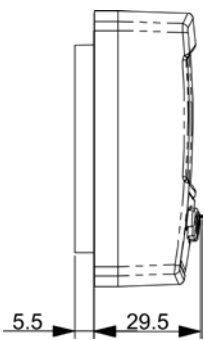


300 series
THAT'S WEIGHING SMART

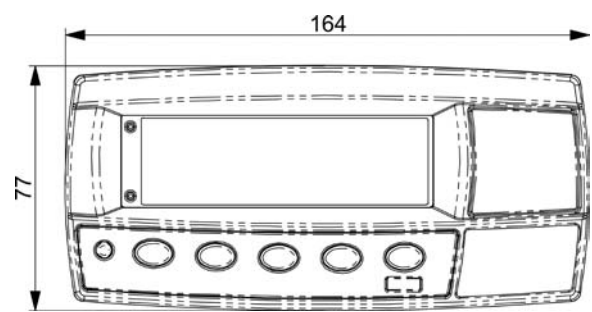


320 Dimensions

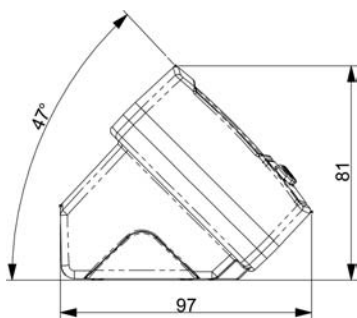
Side View



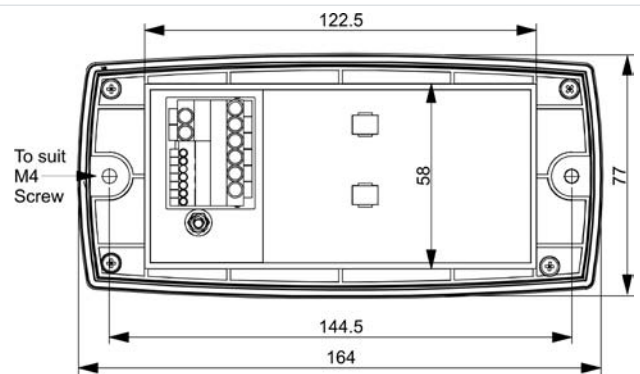
Front View



Side View with Boot

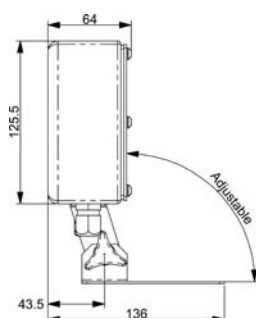


Rear View

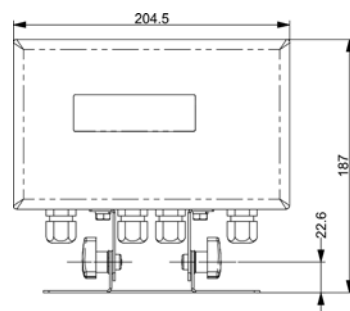


323 Dimensions

Side View with Stand



Front View with Stand



Performance		R310	N320 / R320	R323
Resolution		Up to 30,000 divisions, minimum of 0.25µV/division, 20 updates/second		
Approvals		FCC, CE, C-tick, Trade Approval Australia NMI(S-420) 4,000 d @0.8uV/d Trade Approval Europe OIML R76 4,000 d @0.8uV/d		
Zero Cancellation		+/- 2.0mV/V		
Span Adjustment		0.1mV/V to 3.0mV/V full scale		
Excitation		5 volts for up to 4 x 350 or 8 x 700 ohm load cells (4-wire or 6-wire plus shield) Maximum total load cell resistance: 3,500 ohms		
A/D Type		24bit Sigma Delta with 8,388,608 internal counts		
Operating Environment		Temperature: -10 to +50°C ambient Humidity: <90% non-condensing Storage: -20 to +50°C ambient IP65 when panel mounted		
Display		LED Backlit LCD with six 20mm high digits with units and annunciators		
Setup and Calibration		Full digital with visual prompting in plain messages		
Digital Filter		Sliding window average from 0.1 to 4.0 seconds		
Zero Range		Adjustable from +/-2% to +/-20% of full capacity		
Standard Power Input		7 to 24VDC, 4.8, 9.6,12 and 24V batteries (2.5 VA max) ON/OFF key with memory feature		
Variants	AC	AC Plug pack: 110/240VAC 50/60Hz in 12VDC 1.5A out		AC Power supply: 110/240VAC 50/60Hz in 12VDC 1.2A out
	Battery	4 x AA batteries (Alkaline or rechargeable NiMH, NiCad, etc.)		12V battery pack (rechargeable NiMH)
Optical Data Communications		Magnetically coupled infra-red communications Conversion cables available for RS-232 or USB		
Correction		Ten point linearity correction		
Serial Outputs		-	RS-232 automatic transmit, network or printer outputs. Transmission rate: 2400, 4800 or 9600 baud	
Assignable Function Key		-	1	
Input/Outputs		-	2 Outputs - isolated transistor drive outputs (300mA total at 50VDC)	
Battery Backed Clock Calendar		-	Battery life 10 years minimum	
Functions		-	Unit switching, counting, manual hold, peak hold, live weight and totalising	
Setpoints		-	2	
Remote Input (shared with comms port)		-	1	
Case Materials		ABS Housing ABS, Silicon Rubber, Nylon, Acrylic (no halogen used)		Stainless Steel Flush Mount
Packing Weights		Basic Indicator: 0.34kg		Basic Indicator: 0.49kg
Optional Mounting		ABS desk mount Stainless steel pole mount		Stainless steel desk/wall mount



Distributed By:-



Weightronic Technology Ltd.

G/F., 34 Nam Cheong Street,
Sham Shui Po., Kln., Hong Kong.
Tel: (852) 2381 8818 Fax: (852) 2391 9919
Email: sales@weightronic.com
http:// www.weightronic.com

Australian Sales Office
41 Success Street
Acacia Ridge
Queensland 4110 Australia

Phone +61 7 3216 7166
Fax +61 7 3216 6211
Email: sales@rinstrum.com

European Sales Office
Rinstrum Europe GmbH
Donnersberggring 14 – 18
64295 Darmstadt

Phone: +49(0)6151-13617-0
Fax: +49(0)6151-13617-29
Email: info@rinstrum.de