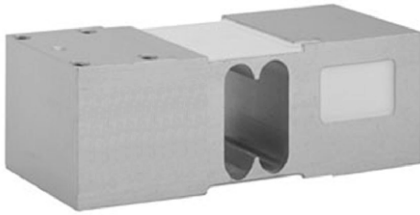


## Aluminum High Capacity Single Point Load Cell



### FEATURES

- Capacities 50 - 660kg
- Aluminum construction
- Single point 600 x 600mm platform
- OIML R60 and NTEP approved
- IP66 protection
- Available with metric and UNC threads

### OPTIONAL FEATURES

- EEx ia IIC T4 hazardous area approval
- FM approval available

### DESCRIPTION

Model 1260 is a high performance, high capacity single point load cell designed for direct mounting of large platforms.

The rugged construction offers high immunity to side forces making it suitable for a wide range of weighing applications, including bench scales and check weighing.

A special humidity resistant protective coating assures long term stability over the entire compensated temperature range.

For hazardous environments this load cell has an EEx ia IIC T4 level of approval.

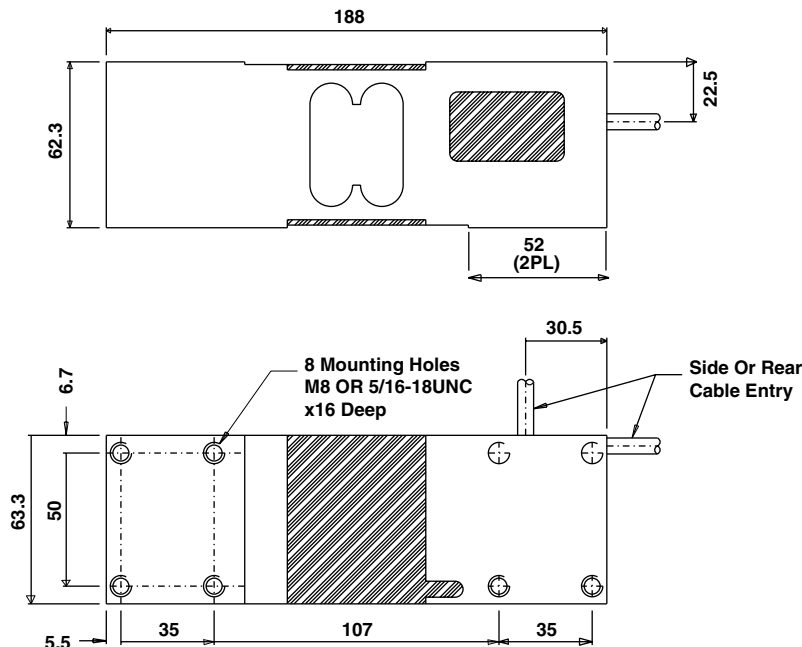
The two additional sense wires feed back the voltage reaching the load cell. Complete compensation of changes in lead resistance due to temperature change and/or cable extension, is achieved by feeding this voltage into appropriate electronics.

### APPLICATIONS

- Large platform scales
- Hanging scales
- Check weighing

### OUTLINE DIMENSIONS in millimeters

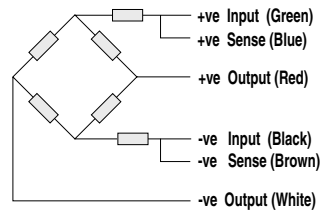
Outline Dimensions All Capacities in mm.



**SPECIFICATIONS**

PARAMETER	VALUE			UNIT
	50, 75, 100, 150, 250, 300, 500, 635, 660			
Rated capacity-R.C. ( $E_{max}$ )				kg
NTEP/OIML Accuracy class	<b>NTEP</b>	<b>Non-Approved</b>	<b>C3*</b>	
Maximum no. of intervals (n)	5000 single	1000	3000	
$Y = E_{max}/V_{min}$	1000	3333	15000	Maximum available
Rated output-R.O.	2.0			mV/V
Rated output tolerance	0.2			±mV/V
Zero balance	0.2			+mV/V
Zero Return, 30 min.	0.0330	0.0300	0.0170	±% of applied load
Total Error	0.0350	0.0500	0.0200	±% of rated output
Temperature effect on zero	0.0028	0.0100	0.0023	±% of rated output/°C
Temperature effect on output	0.0011	0.0030	0.0010	±% of applied load/°C
Eccentric loading error	0.0020	0.0050	0.0033	±% of rated load/cm
Temperature range, compensated	-10 to +40			°C
Temperature range, safe	-20 to +70			°C
Maximum safe central overload	150			% of R.C.
Ultimate central overload	300			% of R.C.
Excitation, recommended	10			Vdc or Vac rms
Excitation, maximum	15			Vdc or Vac rms
Input impedance	415±15			Ohms
Output impedance	350±3			Ohms
Insulation resistance	>2000			Mega-Ohms
Cable length	3			m
Cable type	6 wire, braided, Polyurethane, dual floating screen			Standard
Construction	Plated (Anodized) aluminum			
Environmental protection	IP66			
Platform size (max)	600 x 600			mm
Recommended torque	16.0			N*m

\* 50% utilization

**Wiring Schematic Diagram**  
(Balanced temperature compensation)**VISHAY TRANSDUCERS (VT) SALES OFFICES**

**VT Americas**  
City of Industry, CA  
PH: +1-626-858-8899  
FAX: +1-626-332-3418  
vt.us@vishaymg.com

**VT Netherlands**  
Breda  
PH: +31-76-548-0700  
FAX: +31-76-541-2854  
vt.nl@vishaymg.com

**VMG UK**  
Basingstoke  
PH: +44-125-646-2131  
FAX: +44-125-647-1441  
vt.uk@vishaymg.com

**VMG Israel**  
Netanya  
PH: +972-9-863-8888  
FAX: +972-9-863-8800  
vt.il@vishaymg.com

**VMG Germany**  
Heilbronn  
PH: +49-7131-3901-260  
FAX: +49-7131-3901-2666  
vt.de@vishaymg.com

**VT China**  
Tianjin  
PH: +86-22-2835-3503  
FAX: +86-22-2835-7261  
vt.prc@vishaymg.com

**VMG France**  
Chartres  
PH: +33-2-37-33-31-20  
FAX: +33-2-37-33-31-29  
vt.fr@vishaymg.com

**VT Taiwan\***  
Taipei  
PH: +886-2-2696-0168  
FAX: +886-2-2696-4965  
vt.roc@vishaymg.com  
\*Asia except China



## Disclaimer

All product specifications and data are subject to change without notice.

Vishay Intertechnology, Inc., its affiliates, agents, and employees, and all persons acting on its or their behalf (collectively, "Vishay"), disclaim any and all liability for any errors, inaccuracies or incompleteness contained herein or in any other disclosure relating to any product.

Vishay disclaims any and all liability arising out of the use or application of any product described herein or of any information provided herein to the maximum extent permitted by law. The product specifications do not expand or otherwise modify Vishay's terms and conditions of purchase, including but not limited to the warranty expressed therein, which apply to these products.

No license, express or implied, by estoppel or otherwise, to any intellectual property rights is granted by this document or by any conduct of Vishay.

The products shown herein are not designed for use in medical, life-saving, or life-sustaining applications unless otherwise expressly indicated. Customers using or selling Vishay products not expressly indicated for use in such applications do so entirely at their own risk and agree to fully indemnify Vishay for any damages arising or resulting from such use or sale. Please contact authorized Vishay personnel to obtain written terms and conditions regarding products designed for such applications.

Product names and markings noted herein may be trademarks of their respective owners.